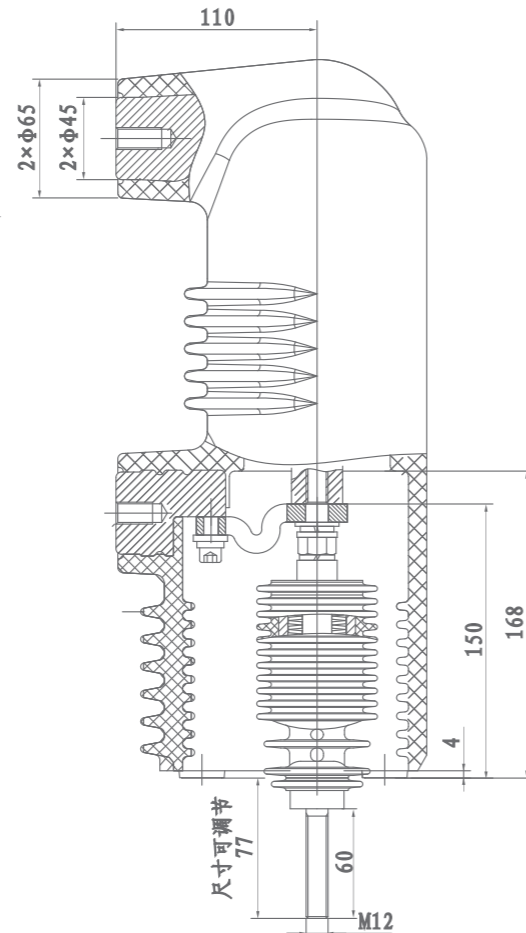
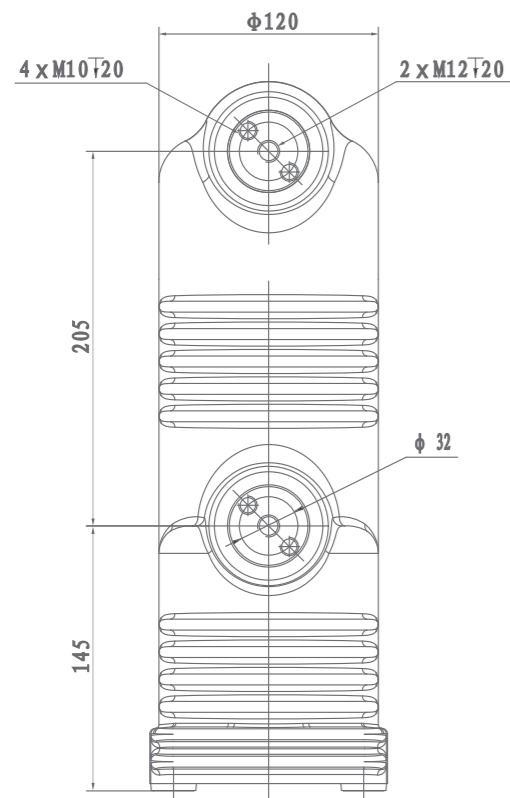
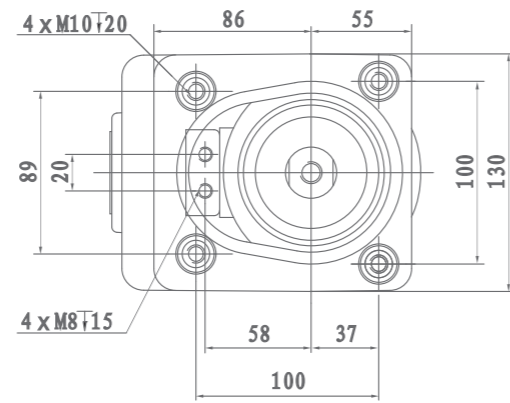


EMBEDDED POLE SERIES

固封极柱系列



图号 Drawing No.	规格型号 Specification	配用绝缘拉杆 Match The Insulated Pull Rod	配用软连接 Match The Flexible Connection
RZP5. 027a	EP12/1250-25	RAP4. 027b. 05	RAP4. 047a. 01
RZP5. 027b	EP12/1250-31. 5	RAP4. 027b. 05	RAP4. 047a. 01

EMBEDDED POLE SERIES

固封极柱系列

主要技术参数 Main Technical Data

参数	Parameter	数值 Value	单位 Unit	
额定电压	Rated Voltage	12	kV	
额定电流	Rated Current	1250	A	
额定频率	Rated Frequency	50	Hz	
额定短路开断电流	Rated Short-circuit Breaking Current	25	31.5	kA
额定短路开断电流的开断次数	Operations Of Short-circuit Breaking Current Interruption	30	次	
额定短路关合电流	Rated Short-circuit Making Current	63	80	kA
额定峰值耐受电流	Rated Peak Withstand Current	63	80	kA
额定短时耐受电流 (4秒)	Rated Short-time Withstand Current (4s)	25	31.5	kA
额定单个电容器组开断电流	Rated Single Capacitor Bank Breaking Current	630※	A	
额定背对背电容器组开断电流	Rated Back-to-back Capacitor Breaking Current	400※	A	
短时 (1分钟) 工频耐受电压	Short-time(1min)power-frequency Withstand Voltage	48	kV	
雷电冲击耐受电压 (峰值)	Lighting Impulse Withstand Voltage(peak)	75	kV	
额定触头压力下的回路电阻	Circuit Resistance At Rated Contact Force	≤25	μΩ	
机械寿命	Mechanical Life	30,000	次	
触头自闭力	Contact Closing Force Due To Bellows And Atmosphere	120±50	N	
额定开距下的触头反力	Counterforce At Rated Contact Stroke	180±50	N	
触头允许磨损厚度	Contact Limit Erosion	3	mm	
贮存期	Shelf Life	20	年	
局部放电值	Partial Discharge	≤1	pC	
额定操作顺序	Rated Operating Sequence	0-0.3s-co-180s-co		

配套的真空开关应满足的机械参数 Mechanical Data Of Circuit Equipped With Interrupters

参数	Parameter	数值 Value	单位 Unit
触头开距	Rated Contact Stroke	9±1	mm
触头接触行程	Contact Connection Stroke	3±1	mm
平均分闸速度	Average Opening Speed	0.9~1.3	m/s
平均合闸速度	Average Closing Speed	0.4~0.8	m/s
额定触头压力	Rated Operation Pressure Of Contact	3100±200	N
触头合闸弹跳时间	Bounce Duration Of Contact Closing	≤2	ms
触头分闸不同期	Out Of Simultaneity Of Contact Closing And Opening	≤1	ms
分闸触头反弹幅值	Max.overtravel	≤2	mm

注：标“※”项为需要时提供的参数。“※”Rated characteristics to be given on request