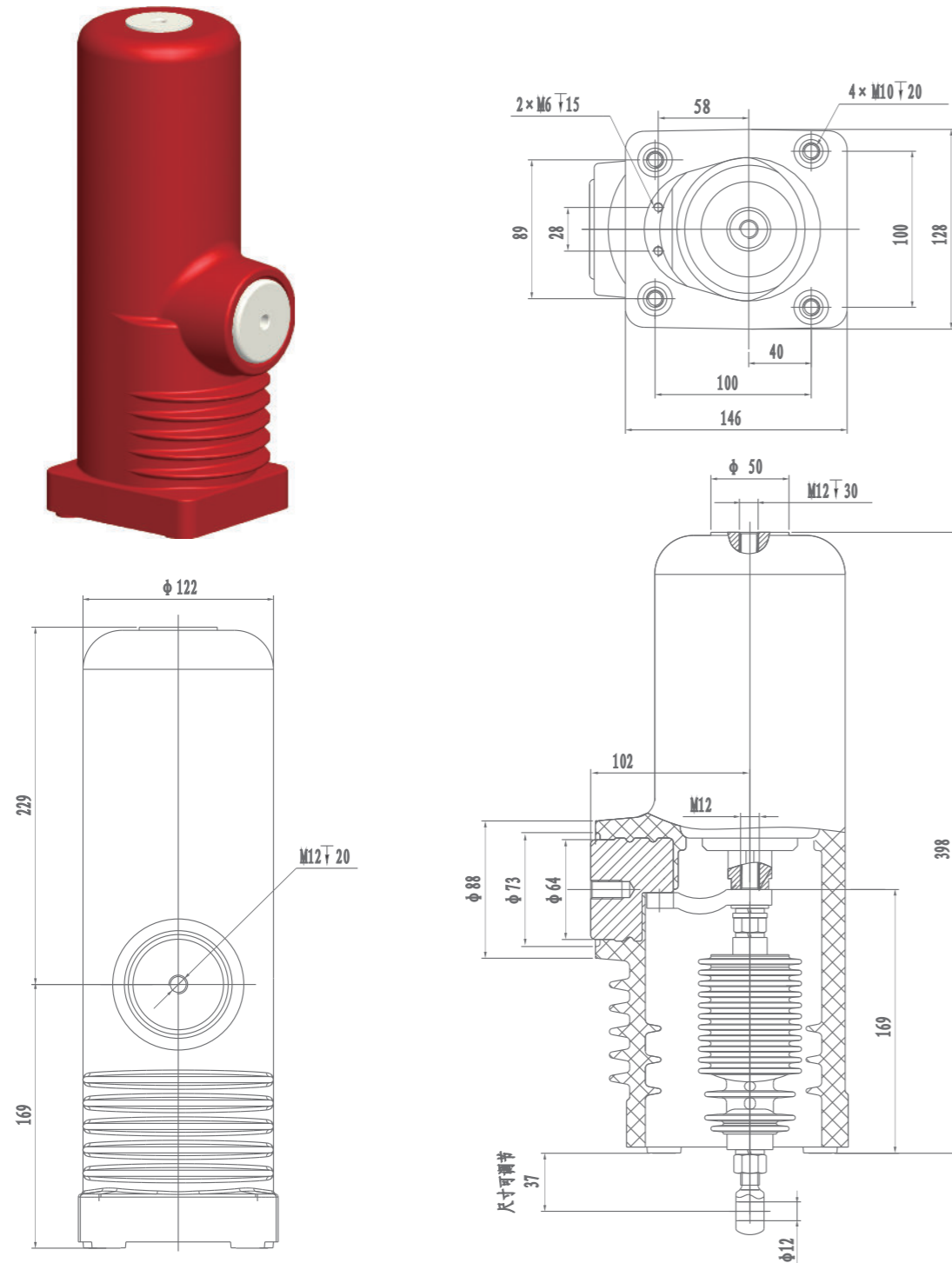


EMBEDDED POLE SERIES

固封极柱系列



| 图号 Drawing No. | 规格型号 Specification | 配用绝缘拉杆 Match The Insulated Pull Rod | 配用软连接 Match The Flexible Connection |
|-------------------|-----------------------|--|--|
| RZP5. 037b | VEG12/1250-31.5(SF6) | RAP4. 039b. 05 | RAP4. 037a. 01 |
| RZP5. 037a | VEG24/1250-25(SF6) | RAP4. 039b. 05 | RAP4. 037a. 01 |

EMBEDDED POLE SERIES

固封极柱系列

主要技术参数 Main Technical Data

| 参数 | Parameter | 数值 Value | | 单位 Unit |
|-----------------|---|-------------------|--------|---------|
| 额定电压 | Rated Voltage | 12 | 24 | kV |
| 额定电流 | Rated Current | 1250 | | A |
| 额定频率 | Rated Frequency | 50 | | Hz |
| 额定短路开断电流 | Rated Short-circuit Breaking Current | 31.5 | 25 | kA |
| 额定短路开断电流的开断次数 | Operations Of Short-circuit Breaking Current Interruption | 30 | 20 | 次 |
| 额定短路关合电流 | Rated Short-circuit Making Current | 80 | | kA |
| 额定峰值耐受电流 | Rated Peak Withstand Current | 80 | | kA |
| 额定短时耐受电流 (4秒) | Rated Short-time Withstand Current (4s) | 31.5 | 25 | kA |
| 额定单个电容器组开断电流 | Rated Single Capacitor Bank Breaking Current | 630※ | | A |
| 额定背对背电容器组开断电流 | Rated Back-to-back Capacitor Breaking Current | 400※ | | A |
| 短时 (1分钟) 工频耐受电压 | Short-time(1min)power-frequency Withstand Voltage | 48 | 65 | kV |
| 雷电冲击耐受电压 (峰值) | Lighting Impulse Withstand Voltage(peak) | 75 | 125 | kV |
| 额定触头压力下的回路电阻 | Circuit Resistance At Rated Contact Force | ≤25 | | μΩ |
| 机械寿命 | Mechanical Life | 30,000 | 10,000 | 次 |
| 触头自闭力 | Contact Closing Force Due To Bellows And Atmosphere | 120±50 | | N |
| 额定开距下的触头反力 | Counterforce At Rated Contact Stroke | 180±50 | 200±50 | N |
| 触头允许磨损厚度 | Contact Limit Erosion | 3 | | mm |
| 贮存期 | Shelf Life | 20 | | 年 |
| 局部放电值 | Partial Discharge | ≤1 | | pC |
| 额定操作顺序 | Rated Operating Sequence | 0-0.3s-co-180s-co | | |

配套的真空开关应满足的机械参数 Mechanical Data Of Circuit Equipped With Interrupters

| 参数 | Parameter | 数值 Value | | 单位 Unit |
|----------|--|----------|---------|---------|
| 触头开距 | Rated Contact Stroke | 9±1 | 12±1 | mm |
| 触头接触行程 | Contact Connection Stroke | 3±1 | | mm |
| 平均分闸速度 | Average Opening Speed | 0.9~1.3 | 1.1~1.5 | m/s |
| 平均合闸速度 | Average Closing Speed | 0.4~0.8 | | m/s |
| 额定触头压力 | Rated Operation Pressure Of Contact | 3100±200 | | N |
| 触头合闸弹跳时间 | Bounce Duration Of Contact Closing | ≤2 | | ms |
| 触头分闸不同期 | Out Of Simultaneity Of Contact Closing And Opening | ≤1 | | ms |
| 分闸触头反弹幅值 | Max.overtravel | ≤2 | | mm |

注：标“※”项为需要时提供的参数。“※”Rated characteristics to be given on request