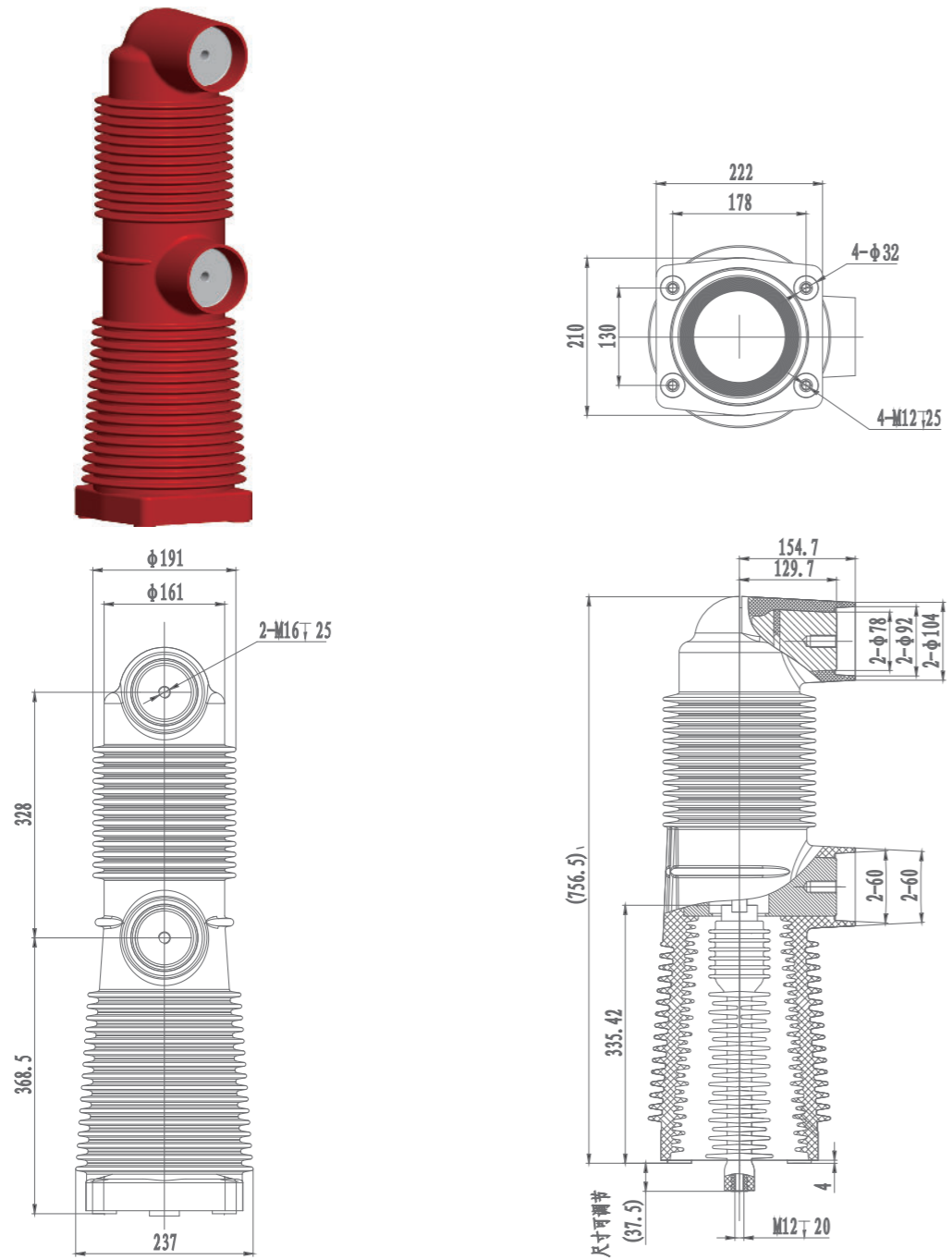


EMBEDDED POLE SERIES

固封极柱系列



图号 Drawing No.	规格型号 Specification	配用绝缘拉杆 Match The Insulated Pull Rod	配用触臂套 Match The Contact Arm Sleeve
RZP5.086a	EP40.5/2500-31.5	RAP4.046a.07	RAP4.086a.11
RZP5.086c	EP40.5/2000-31.5	RAP4.046a.07	RAP4.086a.11
RZP5.086b	EP40.5/1600-31.5	RAP4.046a.07	RAP4.086b.11
RZP5.086h	EP40.5/1250-31.5	RAP4.046a.07	RAP4.086h.11

EMBEDDED POLE SERIES

固封极柱系列

主要技术参数 Main Technical Data (海拔4000米)

参数	Parameter	数值 Value	单位 Unit
额定电压	Rated Voltage	40.5	kV
额定电流	Rated Current	2500 2000 1600 1250	A
额定频率	Rated Frequency	50	Hz
额定短路开断电流	Rated Short-circuit Breaking Current	31.5	kA
额定短路开断电流的开断次数	Operations Of Short-circuit Breaking Current Interruption	30	次
额定短路关合电流	Rated Short-circuit Making Current	80	kA
额定峰值耐受电流	Rated Peak Withstand Current	80	kA
额定短时耐受电流 (4秒)	Rated Short-time Withstand Current (4s)	31.5	kA
额定单个电容器组开断电流	Rated Single Capacitor Bank Breaking Current	630※	A
额定背对背电容器组开断电流	Rated Back-to-back Capacitor Breaking Current	400※	A
短时 (1分钟) 工频耐受电压	Short-time(1min)power-frequency Withstand Voltage	118	kV
雷电冲击耐受电压 (峰值)	Lighting Impulse Withstand Voltage(peak)	215	kV
额定触头压力下的回路电阻	Circuit Resistance At Rated Contact Force	≤18 ≤21 ≤23 ≤25	μΩ
机械寿命	Mechanical Life	10,000	次
触头自闭力	Contact Closing Force Due To Bellows And Atmosphere	200±60	N
额定开距下的触头反力	Counterforce At Rated Contact Stroke	300±60	N
触头允许磨损厚度	Contact Limit Erosion	3	mm
贮存期	Shelf Life	20	年
局部放电值	Partial Discharge	≤1	pC
额定操作顺序	Rated Operating Sequence	0-0.3s-co-180s-co	

配套的真空开关应满足的机械参数 Mechanical Data Of Circuit Equipped With Interrupters

参数	Parameter	数值 Value	单位 Unit
触头开距	Rated Contact Stroke	20±2	mm
触头接触行程	Contact Connection Stroke	5±1	mm
平均分闸速度	Average Opening Speed	1.7±0.2	m/s
平均合闸速度	Average Closing Speed	0.75±0.2	m/s
额定触头压力	Rated Operation Pressure Of Contact	3600±300	N
触头合闸弹跳时间	Bounce Duration Of Contact Closing	≤3	ms
触头分闸不同期	Out Of Simultaneity Of Contact Closing And Opening	≤2	ms
分闸触头反弹幅值	Max.overtravel	≤2	mm

注：标“※”项为需要时提供的参数。“※”Rated characteristics to be given on request