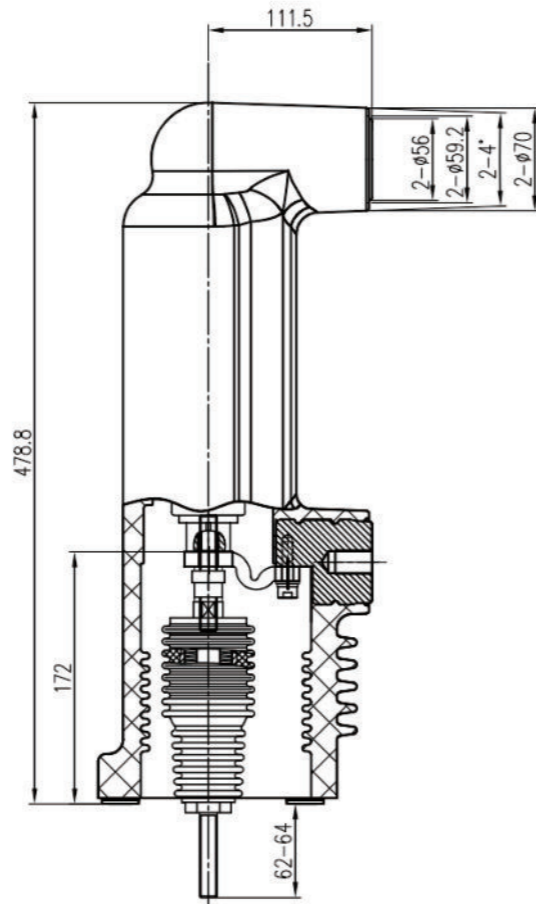
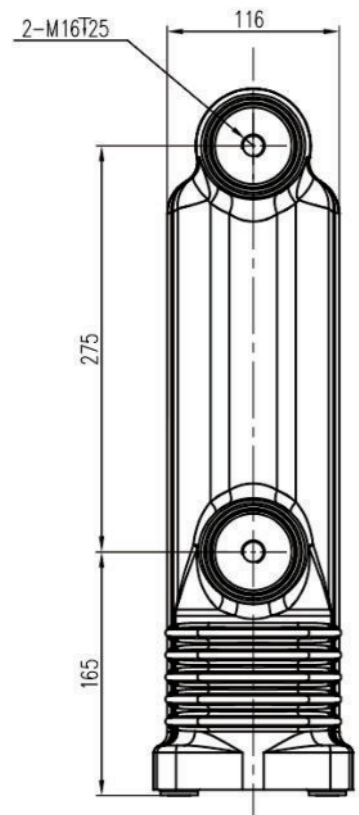
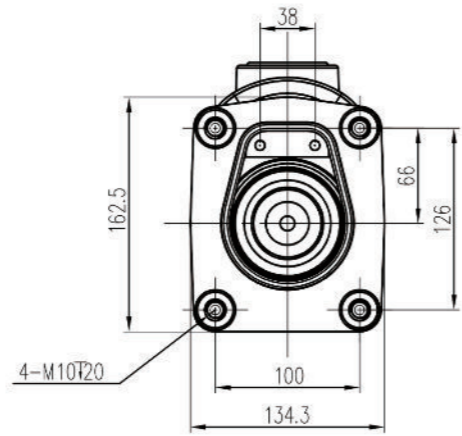


## EMBEDDED POLE SERIES

固封极柱系列



| 图号<br>Drawing No. | 规格型号<br>Specification | 配用绝缘拉杆<br>Match The Insulated Pull Rod | 配用软连接<br>Match The Flexible Connection |
|-------------------|-----------------------|--|--|
| RZP5. 125         | EP/VEG12/ 1250-25     | RAP4. 027b. 05                         | RAP4. 047a. 01                         |

## EMBEDDED POLE SERIES

固封极柱系列

主要技术参数 Main Technical Data

| 参数              | Parameter   | 数值 Value          | 单位 Unit |
|-----------------|---|-------------------|---------|
| 额定电压            | Rated Voltage   | 12                | kV      |
| 额定电流            | Rated Current   | 1250              | A       |
| 额定频率            | Rated Frequency   | 50                | Hz      |
| 额定短路开断电流        | Rated Short-circuit Breaking Current                      | 25 31.5           | kA      |
| 额定短路开断电流的开断次数   | Operations Of Short-circuit Breaking Current Interruption | 30                | 次       |
| 额定短路关合电流        | Rated Short-circuit Making Current                        | 63 80             | kA      |
| 额定峰值耐受电流        | Rated Peak Withstand Current                              | 63 80             | kA      |
| 额定短时耐受电流 (4秒)   | Rated Short-time Withstand Current (4s)                   | 25 31.5           | kA      |
| 额定单个电容器组开断电流    | Rated Single Capacitor Bank Breaking Current              | 630※              | A       |
| 额定背对背电容器组开断电流   | Rated Back-to-back Capacitor Breaking Current             | 400※              | A       |
| 短时 (1分钟) 工频耐受电压 | Short-time(1min)power-frequency Withstand Voltage         | 48                | kV      |
| 雷电冲击耐受电压 (峰值)   | Lighting Impulse Withstand Voltage(peak)                  | 75                | kV      |
| 额定触头压力下的回路电阻    | Circuit Resistance At Rated Contact Force                 | ≤25               | μΩ      |
| 机械寿命            | Mechanical Life   | 30,000            | 次       |
| 触头自闭力           | Contact Closing Force Due To Bellows And Atmosphere       | 120±50            | N       |
| 额定开距下的触头反力      | Counterforce At Rated Contact Stroke                      | 180±50            | N       |
| 触头允许磨损厚度        | Contact Limit Erosion                                     | 3                 | mm      |
| 贮存期             | Shelf Life  | 20                | 年       |
| 局部放电值           | Partial Discharge   | ≤1                | pC      |
| 额定操作顺序          | Rated Operating Sequence                                  | 0-0.3s-co-180s-co |         |

配套的真空开关应满足的机械参数 Mechanical Data Of Circuit Equipped With Interrupters

| 参数       | Parameter  | 数值 Value | 单位 Unit |
|----------|--|----------|---------|
| 触头开距     | Rated Contact Stroke                               | 9±1      | mm      |
| 触头接触行程   | Contact Connection Stroke                          | 3±1      | mm      |
| 平均分闸速度   | Average Opening Speed                              | 0.9~1.3  | m/s     |
| 平均合闸速度   | Average Closing Speed                              | 0.4~0.8  | m/s     |
| 额定触头压力   | Rated Operation Pressure Of Contact                | 3100±200 | N       |
| 触头合闸弹跳时间 | Bounce Duration Of Contact Closing                 | ≤2       | ms      |
| 触头分闸不同期  | Out Of Simultaneity Of Contact Closing And Opening | ≤1       | ms      |
| 分闸触头反弹幅值 | Max.overtravel                                     | ≤2       | mm      |

注：标“※”项为需要时提供的参数。“※”Rated characteristics to be given on request